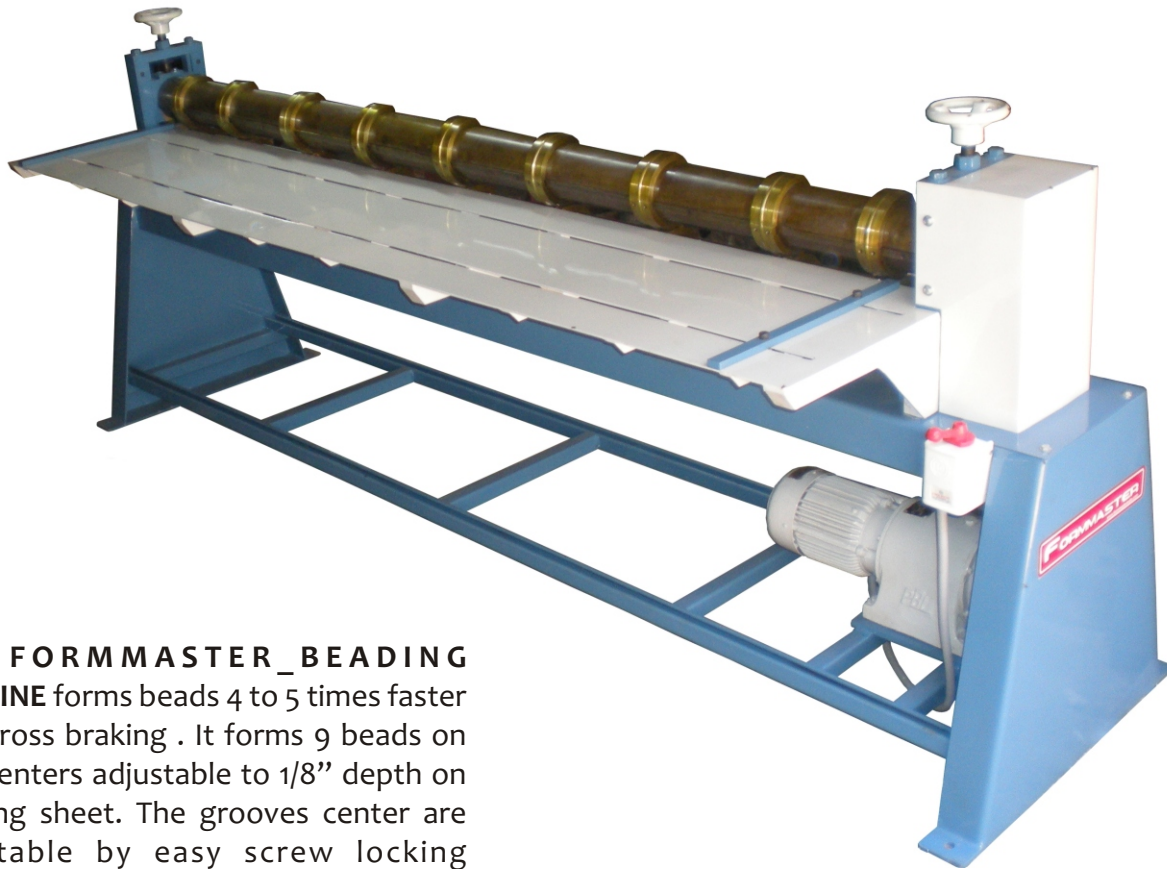


## BEADING MACHINE



**FORMMASTER\_BEADING MACHINE** forms beads 4 to 5 times faster than cross braking . It forms 9 beads on 12ft centers adjustable to 1/8" depth on 8ft long sheet. The grooves center are adjustable by easy screw locking arrangement.

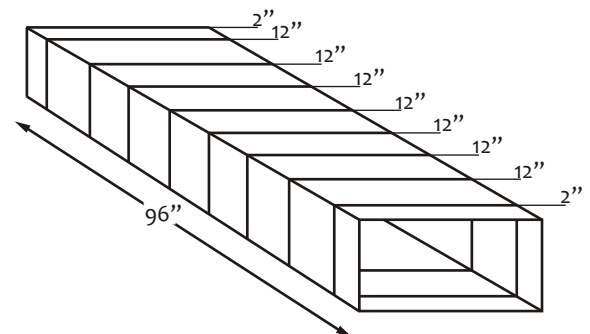


**Beading Machine available in different sizes:**

- 1250mm x 1mm thk
- 1500mm x 1mm thk
- 2500mm x 1mm thk

### FORMMASTER BEADING MACHINE - SPECIFICATIONS

- **Capacity :** 24 to 20GA (0.5~1.0mm).
- **Maximum Width of Sheet :** 8 feet (2500mm).
- **Speed :** 29 feet (9 meters) per min.
- **Motor :** 2Hp 3Phase A C GearMotor. Manual Switch.
- **Drive :** Chain-Sprocket.
- **Dimensions (HxWxL):** 41" (1045mm) x 33" (840mm) X 116" (2950mm).
- **Shipping Weight :** Approximate 725 kgs.



**MANUFACTURED BY:**



## Citizen Engineering Works

Manufacturer of SHEET METAL MACHINERY & ROLL FORMING MACHINES

Address: 10, Amar Industrial Estate, Andheri - Kurla Road, Sakinaka, Mumbai - 400 072, INDIA.

Telephone no.: 91-022-6679 2896/ +91 98679 60169/ +91 98922 56045

Website: [www.formmasterindia.com/](http://www.formmasterindia.com/) [www.citizenengworks.com](http://www.citizenengworks.com)